



Bulker Cranes

Type TLB – Electro-hydraulic cranes up to SWL 45t

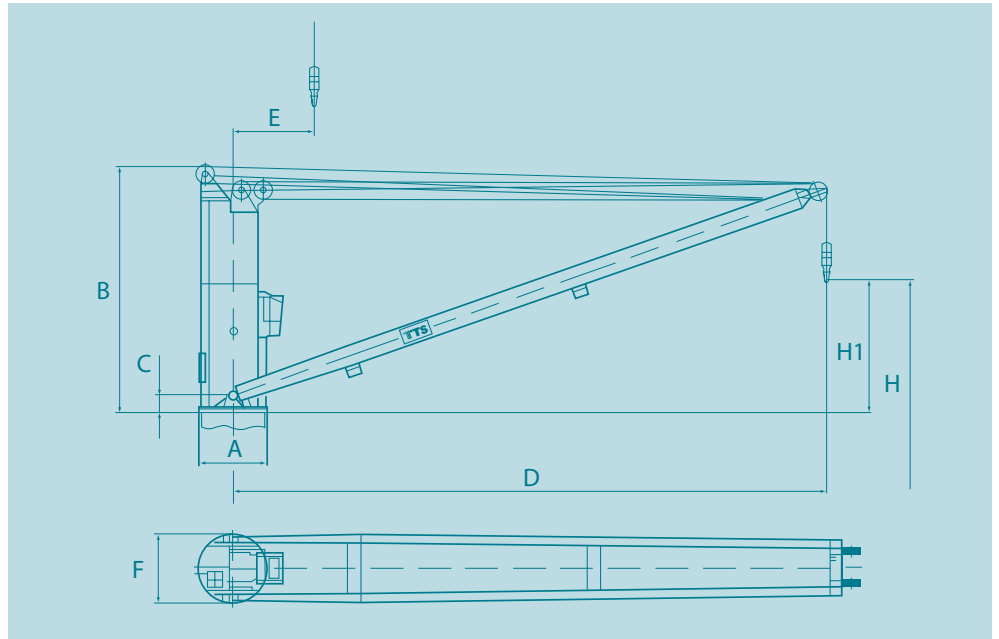


OFFSHORE & HEAVY LIFT

www.ttsgroup.com

Optimised for handling bulk cargoes, a standard feature of TTS cranes is that they are designed to operate with a motor grab (type TLB and TLB-e) or with a 4-rope grab arrangement for heavy duty operation (type TLB-V)

Capacity: SWL 30–45t
Operation: Bulk Carrier



The TLB bulker crane is characterised by its high cycle times and robust design. Like all TTS cranes, the TLB has an unlimited, 360° slewing range. All equipment and machinery are located inside the crane house to protect them against the marine environment. Operation in

the first layer on the winch drum ensures long lifetime of the wires.

As standard the TLB crane is equipped with the proven TTS electronic programmable logic controller and digital operation display in the cabin as standard.

All movements can be controlled simultaneously and are stepless. To ensure a safe workflow, the TLB automatically reduces its speed for hoisting and luffing activities before the limit switch is activated. The driver's cabin is protected by a security cage.

Additional features:

- Air conditioning system in driver's cabin
- Anti-collision system
- Remote maintenance system

Exemplary data for type TLB

CRANES			PERFORMANCE			MAIN DIMENSIONS								
SWL	Outreach		Hoist speed	Luffing time	Slew speed	Power consumption	A	B	C	D	E	F	H1	H
t	max.(m)	min.(m)	m/min	sec	rpm	KW	(m)	(m)	(m)	(m)	(m)	(m)	(m)	(m)
30	26	3.6	22/45	56	1.27	160	3.2	9.77	0.75	26	3.6	2.8	4.5	45
30	30	4.0	22/45	57	1.06	160	3.2	9.77	0.75	30	4.0	2.8	4.4	45
36	26	3.6	19/40	66	0.90	160	3.2	9.75	0.75	26	3.6	3.2	4.5	45
36	30	4.0	19/40	67	0.90	160	3.2	9.75	0.75	30	4.0	3.2	4.4	45
40	26	3.6	18/40	66	0.90	160	3.2	9.75	0.75	26	3.6	3.2	4.5	47
40	30	4.0	18/40	67	0.90	160	3.2	9.75	0.75	30	4.0	3.2	4.4	47
45	26	3.6	18/40	66	0.90	160	3.2	9.75	0.75	26	3.6	3.2	4.5	47
45	30	4.0	18/40	67	0.90	160	3.2	9.75	0.75	30	4.0	3.2	4.4	47

Outreach and lifting capacity may be customised to specific requirements

TTS NMF GmbH
Neuenfelder Fährdeich 120
21129 Hamburg
Germany
Tel. +49 40 55 43 61 500
info@nmf-crane.de

www.ttsgroup.com

TTS
OFFSHORE & HEAVY LIFT
www.ttsgroup.com