



PHONTECH Communication Systems

WP 900 - Wireless Paging System



www.jotron.com

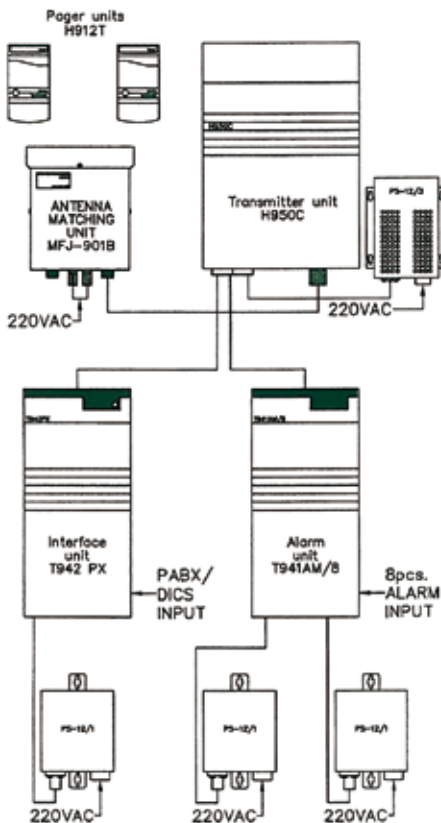


▶ PHONTECH Communication Systems

WP 900 - Wireless Paging System

WP 900 Wireless Paging System has been developed to increase the accessibility and security of the crew who frequently moves at work.

WP 900 can be fully integrated with Phontech Communication Systems to increase the efficiency of the crew operation.



FEATURES

- Providing HF wireless paging coverage onboard the entire vessel
- Useful in daily work for personal text message or alarm message warning of malfunction that needs immediate action etc.
- Easy installation and maintenance
- 8 or 32 different alarm messages
- Individual and 5 group numbers are available
- Easy to interface to other systems like: PABX, Intercom and Alarm Systems
- Robust, shock resistant pocket receivers, dust and waterproof according to IP 66 class and high immunity to electric charges
- Compact and lightweight receiver housing: 86 x 51 x 19 mm and only 89 g including battery
- Intrinsically safe versions of pocket receivers, (EEx ib IIC T4)
- The receivers are easy to operate; all functions accessed with one button
- The receivers have a two-line alphanumeric display showing 24 characters at the same time. A message can contain up to 120 characters which are presented using the auto-scroll function. 10 messages can be stored and max. memory capacity is 480 characters.

Agent/Distributor:

Jotron Phontech AS reserves the right to change the design and/or specifications at any time without prior notice. Reservations are also taken towards any general errors that may occur.

v.A

www.jotron.com

CONTACT INFORMATION

Jotron AS
P.O. Box 54
3281 Tjodalving
Norway
Tel: +47 33 13 97 00
Fax: +47 33 12 67 80
sales@jotron.com

Jotron UK Ltd.
Crosland Park
Cramlington
NE23 1LA
United Kingdom
Tel: +44 (0) 1670 712000
Fax: +44 (0) 1670 590265
sales@jotron.com

Jotron Asia Pte. Ltd.
19 Loyang Way
Changi Logistics Centre
Rear Office Block 04-26
Singapore 508724
Tel: +65 65426350
Fax: +65 65429415
sales@jotron.com

Jotron USA, Inc.
10645 Richmond Avenue, Suite 170
Houston, TX 77042
USA
Tel: +1 713 268 1061
Fax: +1 713 268 1062
sales@jotron.com