



FRR 6.1

Fast Rigid Rescue Boat, outboard driven



Fassmer Rescue Boats – fast all-rounders!

- rescue boat for ferries, cruise ships and offshore oil platforms
- integrated self-righting aid
- GRP hull structure for heavy endurance operations
- different engines available for up to 27 knots speed

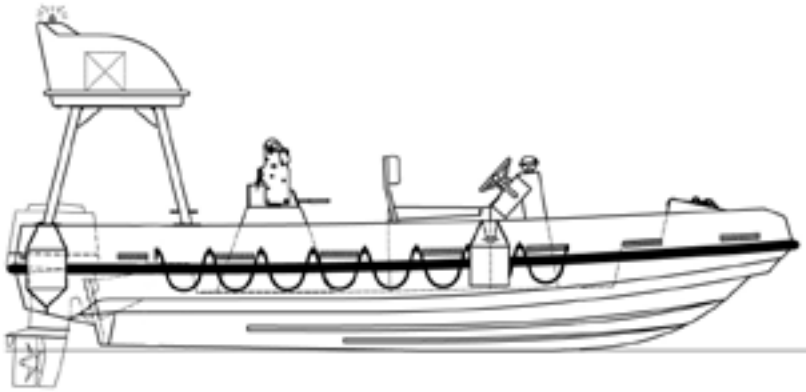
The boat is fully certified according to IMO/SOLAS standards.

FRR 6.1

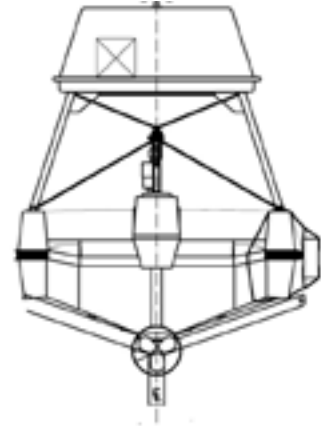
Fast Rigid Rescue Boat, outboard driven



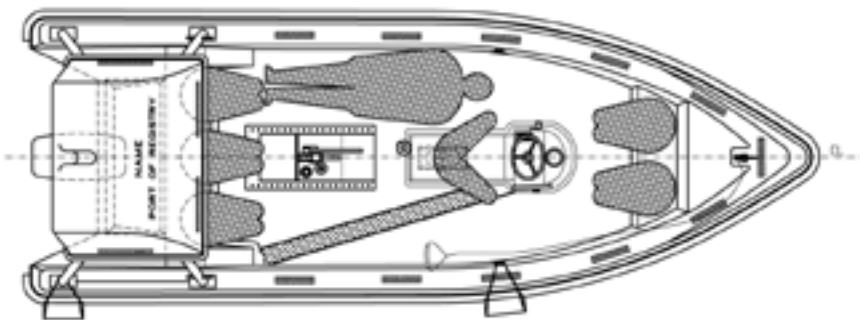
side view



view from astern



top view



Boat Type	Max. Capacity (Person)	Length (mm)	Width (mm)	Height (mm)	Weight (kg)
FRR 6.1	10	6100	2260	2600	1,110-1,210

Engine Option (hp)	Speed (knots)*	Towing Force (N)	Steering	Engine Start	Weight (kg)
60	20	3680	wheel	electric	1,110
90	23	3580	wheel	electric	1,125
120	28	5600	wheel	electric	1,150
2x60	27	6000	wheel	electric	1,220

* with 3 persons

Fr. Fassmer GmbH & Co. KG
 Industriestraße 2
 27804 Berne/Germany
 Phone +49 44 06 942-0
 Fax +49 44 06 942-100
 lifeboat@fassmer.de
www.fassmer.de