



CFL 66

Freefall Lifeboats



A new innovative solution for all cargo vessels and tankers!

- the crew's shelter for a fast and safe disembarkation
- approved for launching heights of up to 26 meters
- strong diesel engine provides outstanding propulsion
- the boat combines a compact design with a reliable structure

All boats are fully certified according to IMO/SOLAS standards.

The following types are available:

"-C" model: totally enclosed (for cargo vessels)

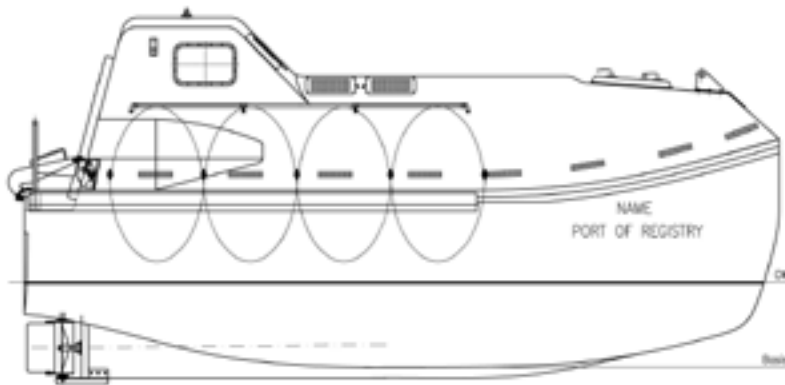
"-T" model: totally enclosed with water spray and self contained air support

CFL 66

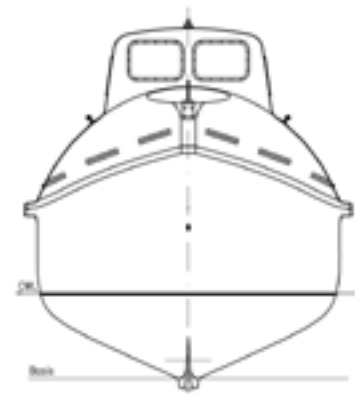
Freefall Lifeboats



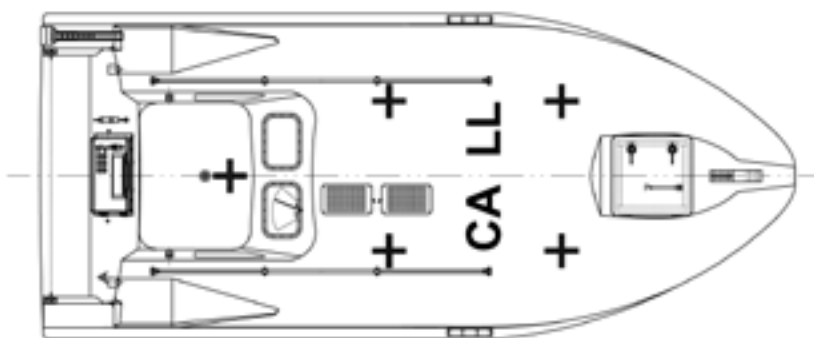
side view



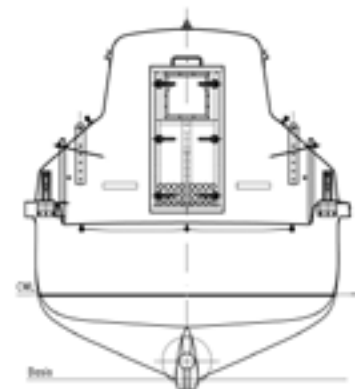
front view



top view



view from astern



Boat Type	CFL 66
Max. Capacity (Person)	30
Length (mm)	6730
Width (mm)	2700
Height (mm)	3350
Weight (kg) "C"-Model	3,700
max. Freefall Height	26

Fr. Fassmer GmbH & Co. KG
 Industriestraße 2
 27804 Berne/Germany
 Phone +49 44 06 942-0
 Fax +49 44 06 942-100
 lifeboat@fassmer.de
www.fassmer.de